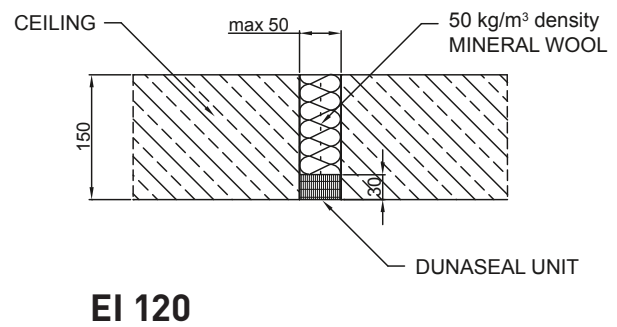
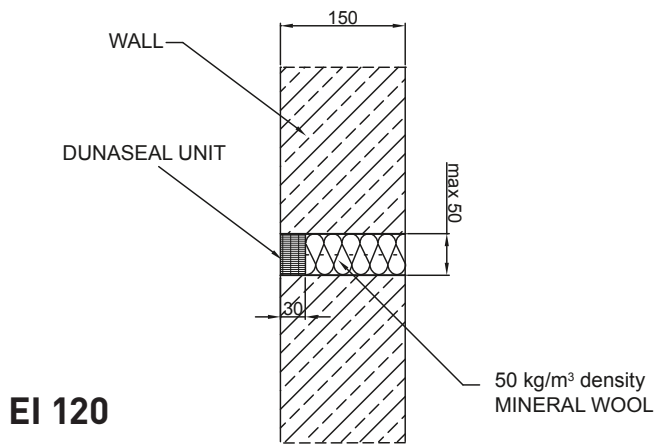


SEALING OF GAPS AND CONSTRUCTION DILATATIONS IN WALLS AND CEILINGS WITH DUNASEAL UNITS



- B = 120 Concrete walls
- B = 125 Drywall walls
- B = 150 For walls built of solid brick and cell-structure concrete walls

For ordering:

Denomination of the product	Size
Dunaseal 35	1 m
Dunaseal 67	1 m

